

Quiz 2

رقم الشعبة:

رقم التسجيل:

الاسم:

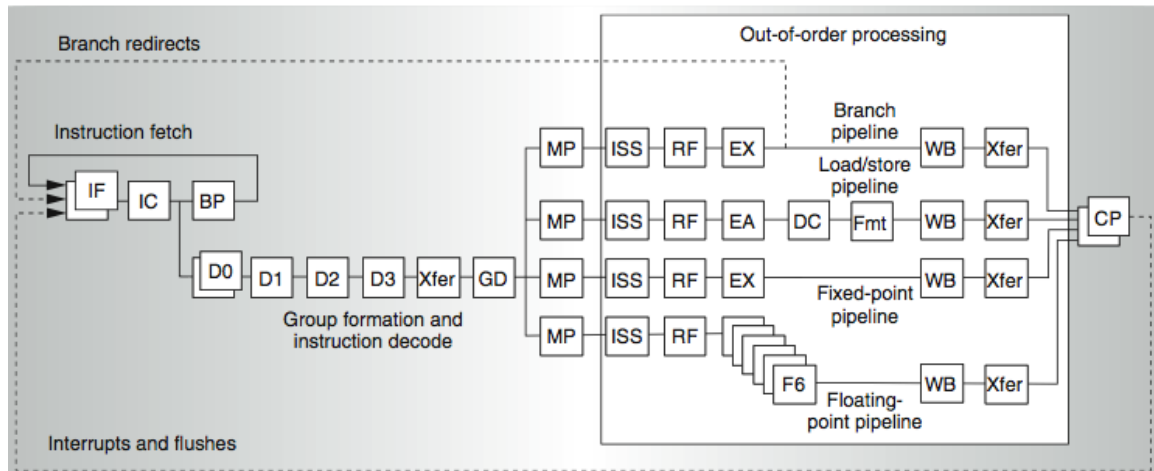
Instructions: Time 12 minutes. Closed books and notes. No calculators. Please answer all problems in the space provided. **No questions are allowed.**

<Every problem 3 marks>

Q. What are the three main problems of the first generation of VLIW processors?

1. Increase in code size
2. Operated in lock-step; no hazard detection HW
3. Binary code compatibility

Q. Draw the organization of the Power 5 processor's pipeline?



Q. For the directory-based cache coherence protocol studied in the class, draw the **directory** state machine.

